

MIXED-FLO

Black Orchid Mixed-flo fan with UK plug

The Black Orchid Mixed-flo fan is a tough and efficient in-line extractor fan ideal for air intake and air extraction. Mixed flow technology enables large volumes of air to be moved against resistance caused by carbon filters and long duct runs.

Mixed-flo is made from a durable plastic casing and features a mixed flow impeller. The Blaubeurg ball bearing motor gives the fan a service life of over 40,000 hours of continuous operation, whilst the specially designed casing and impeller blades provide higher pressure and a greater air capacity than industry alternatives.

Mixed flow can be easily removed and cleaned with two easy access clips. This also also be used to turn your fan around to supply air into your grow room or tent.



Air flow:
up to 520 m³/h



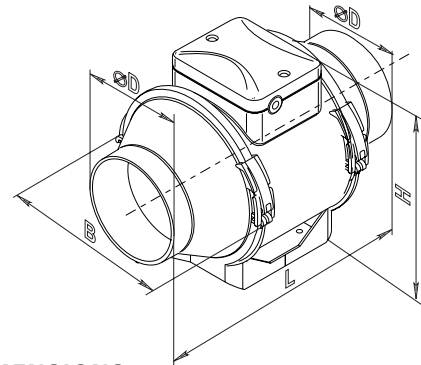
Power:
from 33 W



Noise level:
from 36 dBa

DESIGN

- Supplied with 1.8m power cable and fitted UK or EU plug.
- Specially designed mixed-flow impeller ensures high air capacity and low noise levels.
- Protection rating IPX4 and equipped with overheating protection.
- Blaubeurg German Motor.
- Five year Black Orchid warranty.



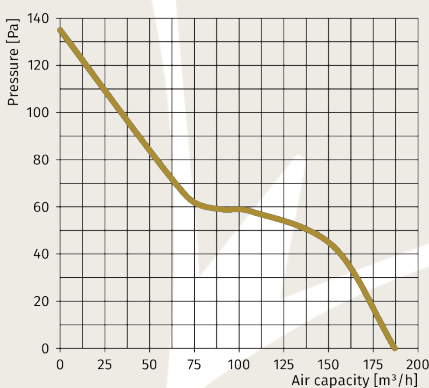
PERFORMANCE

Product	Description	Air Flow [m ³ /h]	Power [W]	Noise Level [dBa]
BO-MF-100-UK	Black Orchid Mixed-flo 4" dia with UK plug	187	33	36
BO-MF-125-UK	Black Orchid Mixed-flo 5" dia with UK plug	280	37	37
BO-MF-150-UK	Black Orchid Mixed-flo 6" dia with UK plug	520	60	44

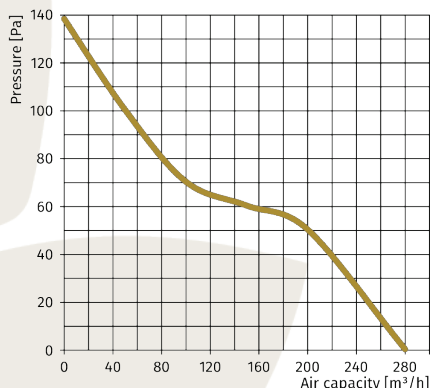
DIMENSIONS [MM]

Product	ØD	B	H	L	Weight [kg]
BO-MF-100-UK	96	167	190	246	1.45
BO-MF-125-UK	123	167	190	246	1.35
BO-MF-150-UK	146	223	250	295	2.65

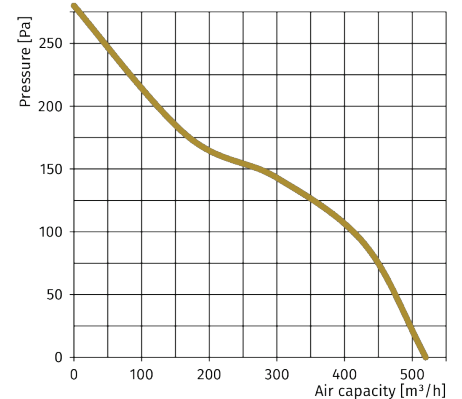
BO-MF-100-UK



BO-MF-125-UK



BO-MF-150-UK



ACCESSORIES

