

ACOUSTICA-BOX

Black Orchid Silenta-box With UK Plug

The Acoustica-box is an in-line metal box fan. The centrifugal impeller and Blaubeerg motor are enclosed within a galvanized steel casing that is heat and sound insulated.

Acoustica-box features a 2 or 4 pole motor (size dependent) that is equipped with ball bearings for a longer service life. The centrifugal impeller with forward curved blades is dynamically balanced to ensure high airflow levels against resistances caused by long duct runs and carbon filters.

Ideal for supply or extract ventilation, Acoustica-box can be controlled by an external speed controller.

Acoustica-Box is also fitted with a removable mounting bracket. Different mounting points are located along the body of the fan to make installation easier.



Air flow:
up to 850 m³/h



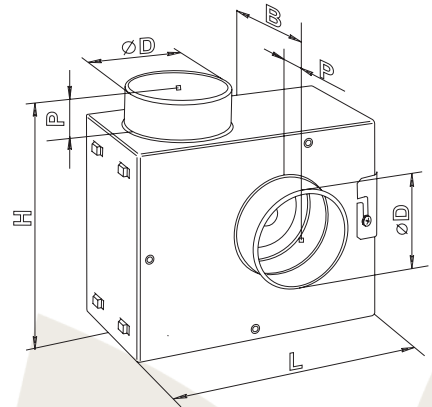
Power:
from 110 W



Noise level:
from 29 dBA

DESIGN

- Supplied with 1.8m power cable and fitted UK or EU plug.
- Ideal for systems with high levels of resistance that also require low noise operation.
- Protection rating IPX4 and equipped with overheating protection.
- Blaubeerg German Motor.
- Five year Black Orchid warranty.
- Mounting bracket included.



PERFORMANCE

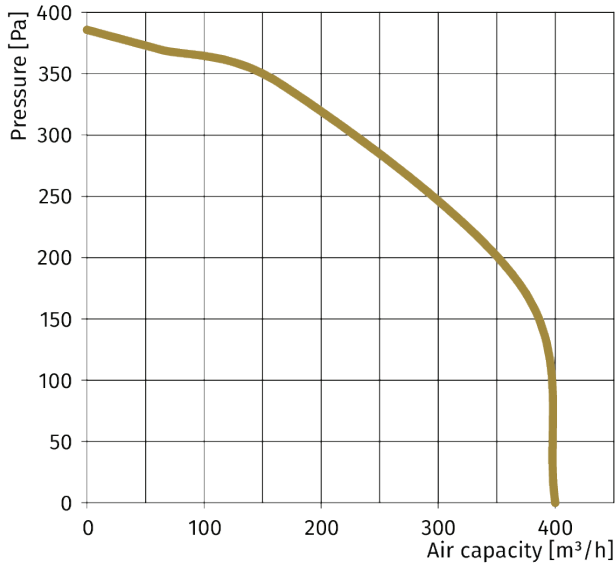
Product	Description	Air Flow (m ³ /h)	Power (W)	Noise Level (dBA)
BO-AB-100-UK	Black Orchid Acoustica-box Fan 4" Dia c/w UK Plug & Lead	400	115	36
BO-AB-125-UK	Black Orchid Acoustica-box Fan 5" Dia c/w UK Plug & Lead	530	120	38
BO-AB-150-UK	Black Orchid Acoustica-box Fan 6" Dia c/w UK Plug & Lead	730	260	39
BO-AB-200-UK	Black Orchid Acoustica-box Fan 8" Dia c/w UK Plug & Lead	850	110	29

DIMENSIONS [MM]

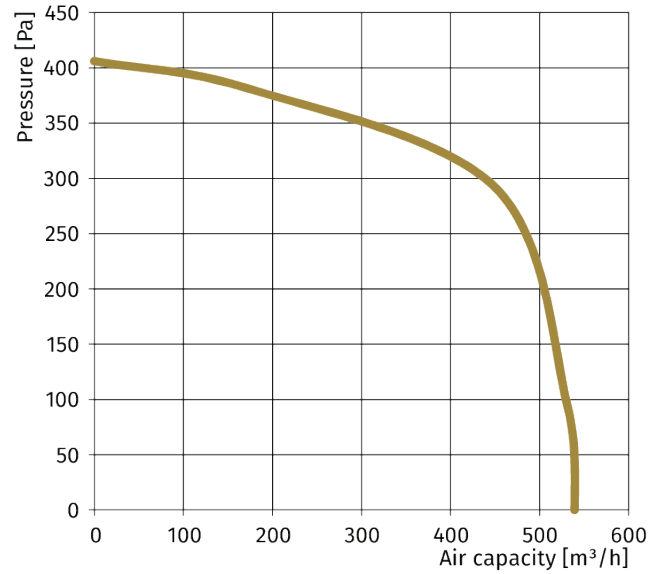
Product	ØD	B	H	L	P	Weight [kg]
BO-AB-100-UK	99	184	308	310	48	4.22
BO-AB-125-UK	123	204	308	310	48	4.57
BO-AB-150-UK	148	231	343	358	48	6.28
BO-AB-200-UK	198	282	408	445	48	8.25

PERFORMANCE GRAPHS

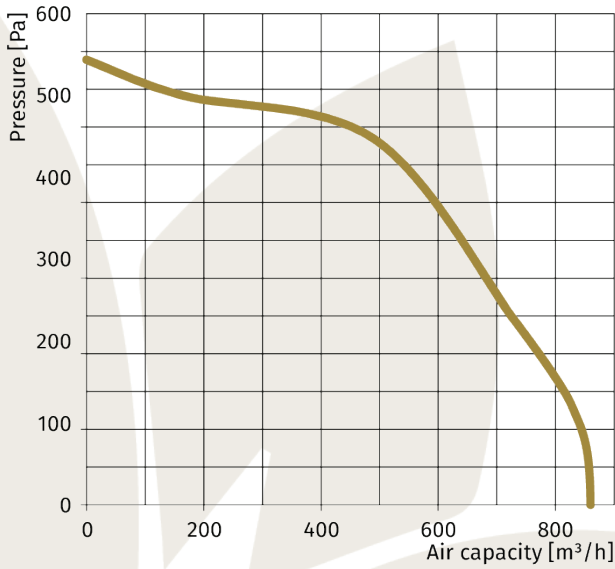
BO-AB-100-UK



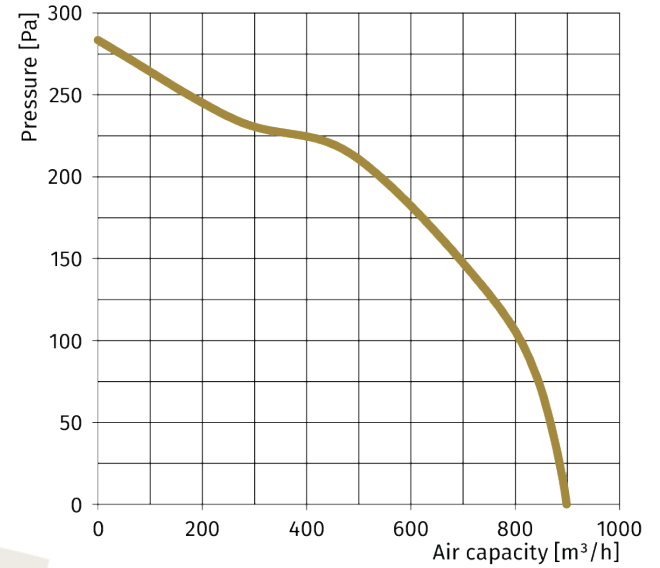
BO-AB-125-UK



BO-AB-150-UK



BO-AB-200-UK



ACCESSORIES

