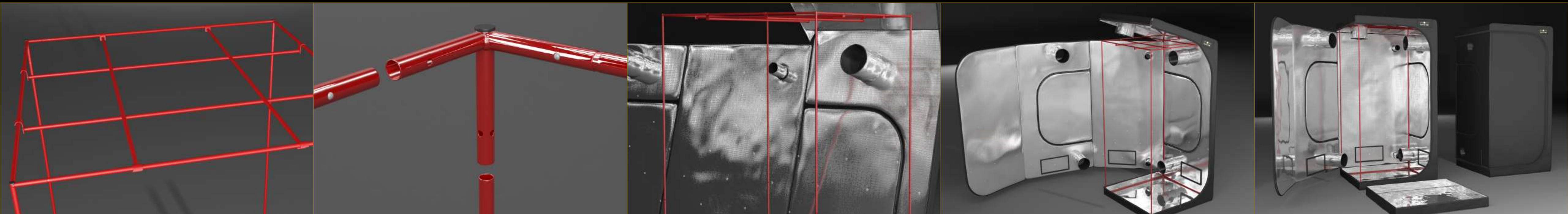


BLACK



ORCHID™



# Assembly Instruction Manual

for

**hydro-box™**

100cm x 100cm x 200cm

## Box Contents

← Pole **A** 90cm →



← Pole **B** 90cm →



← Pole **C** 97cm →



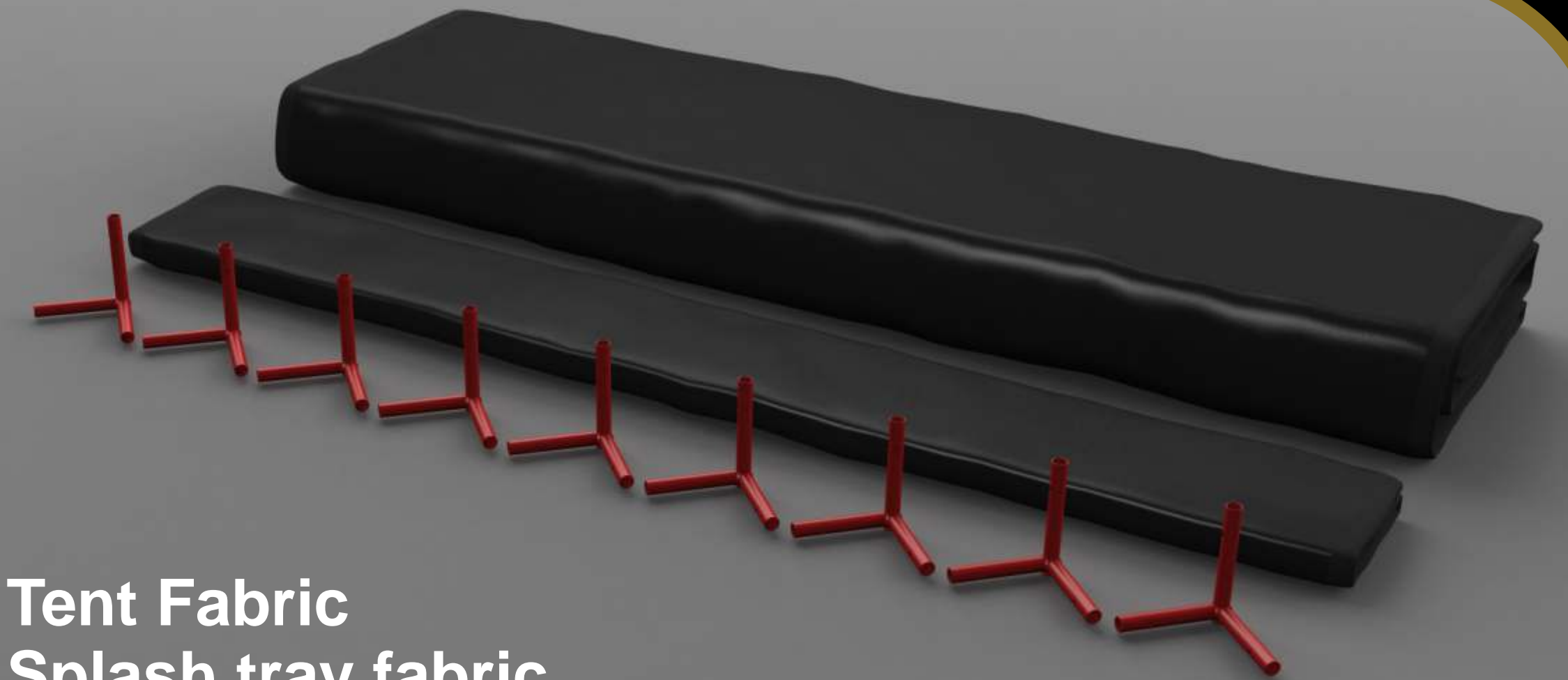
← Pole **D** 97cm →



← Pole **E** 100cm →



← Pole **F** 100cm →



Tent Fabric  
Splash tray fabric  
Frame Corner joints (inc 1 spare)

Please follow the instructions carefully

**hydro-box™**  
Tent Assembly Instructions

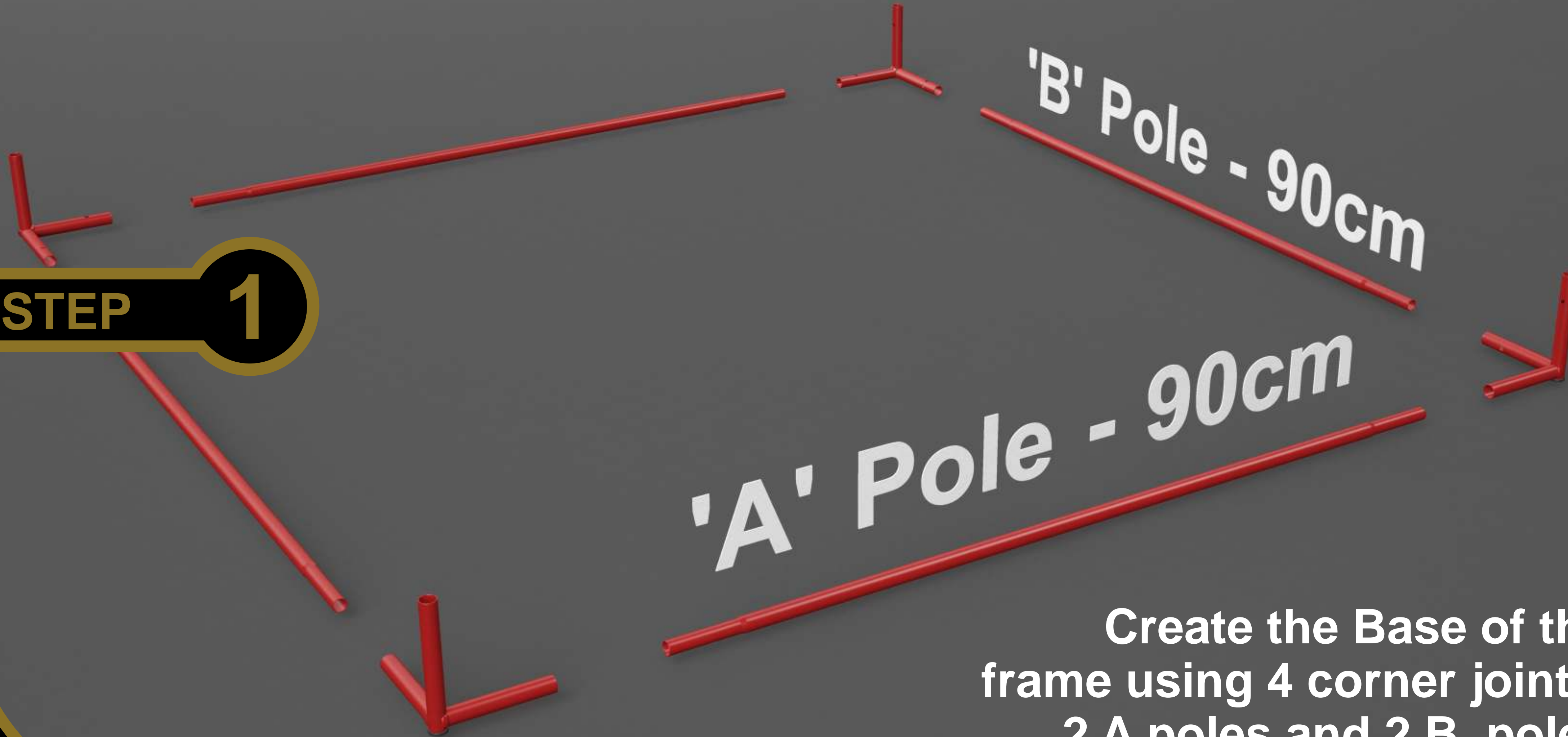
STEP

1

'A' Pole - 90cm

'B' Pole - 90cm

Create the Base of the  
frame using 4 corner joints,  
2 A poles and 2 B poles



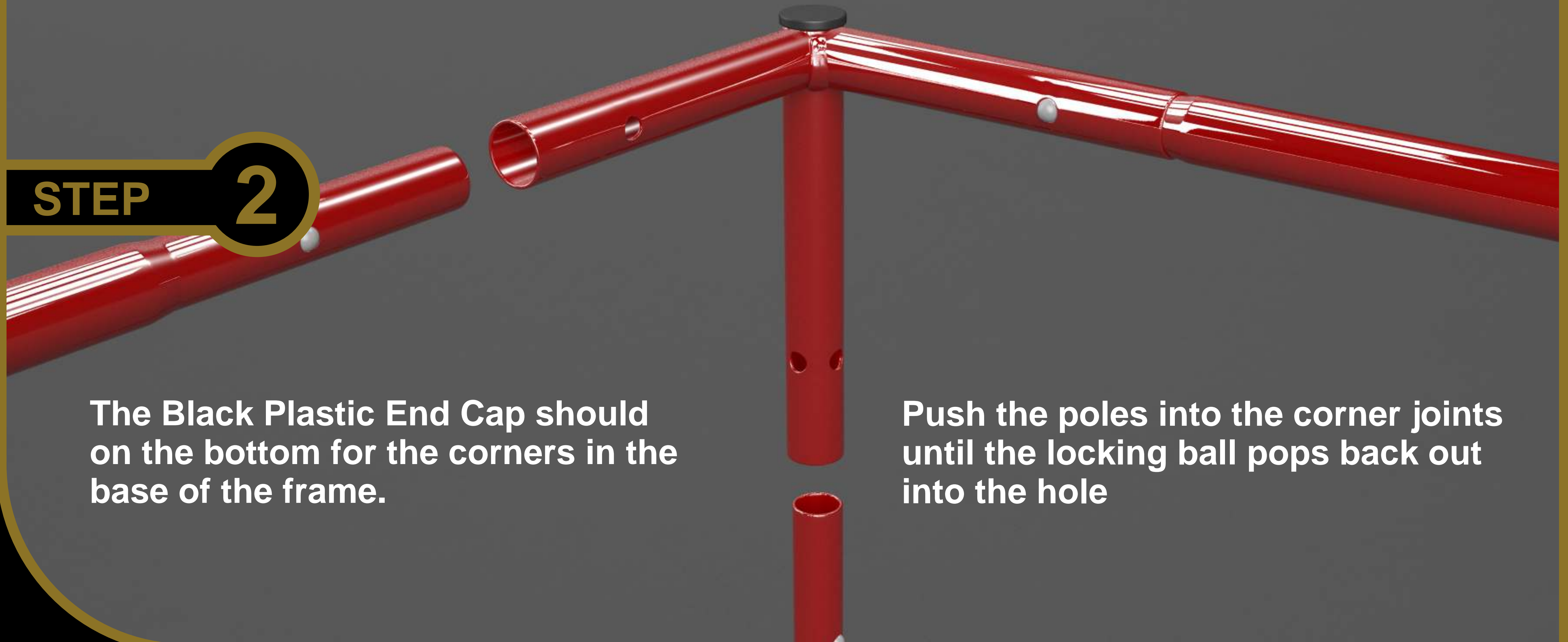
Please note the Black Plastic End Cap should be on the top for the top of the frame.

**STEP**

**2**

The Black Plastic End Cap should be on the bottom for the corners in the base of the frame.

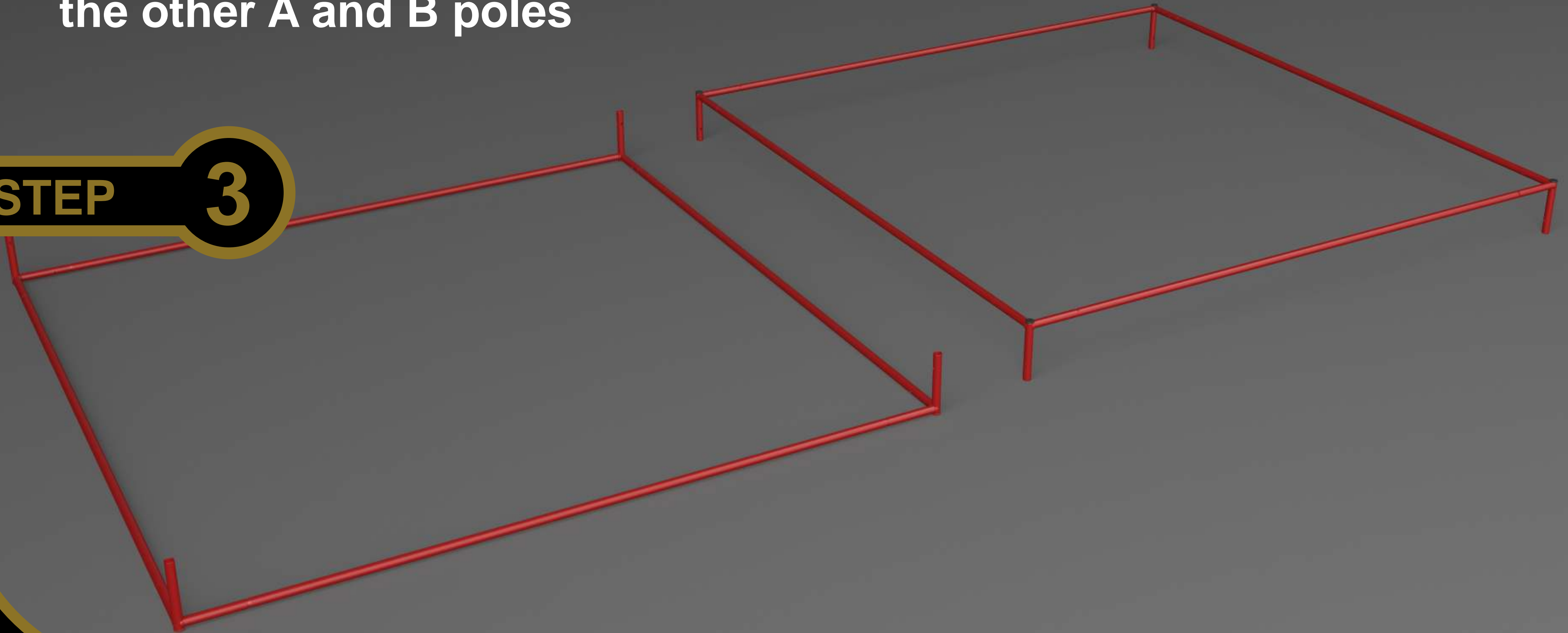
Push the poles into the corner joints until the locking ball pops back out into the hole



With the base joined together, next make the top of the frame with the other A and B poles

**STEP**

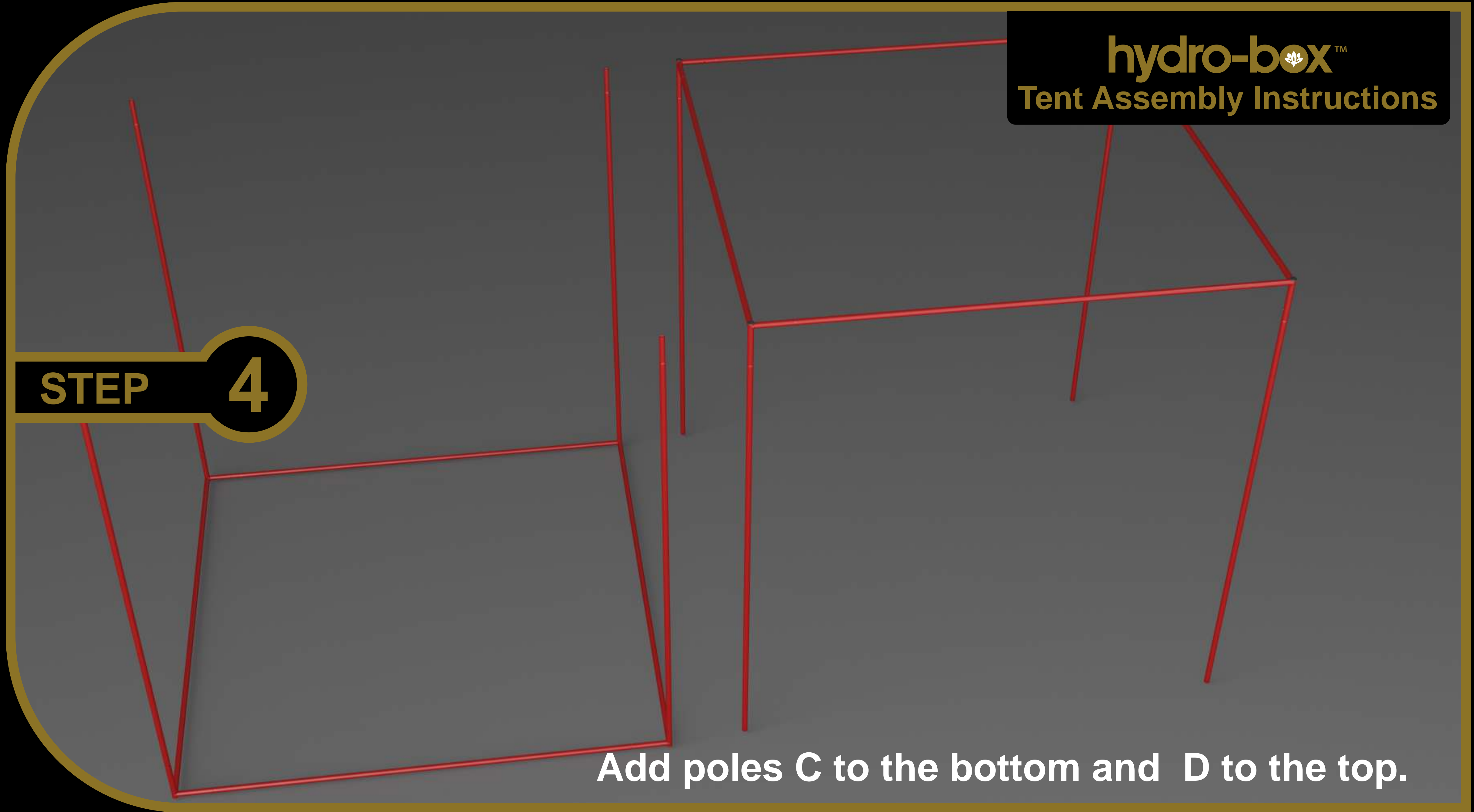
**3**



**STEP**

**4**

**Add poles C to the bottom and D to the top.**



'D' Poles

**STEP**

**5**

'C' Poles

Join together the base of the frame  
with the top of the frame.

Then add poles E and F to the top  
as seen in Step 6

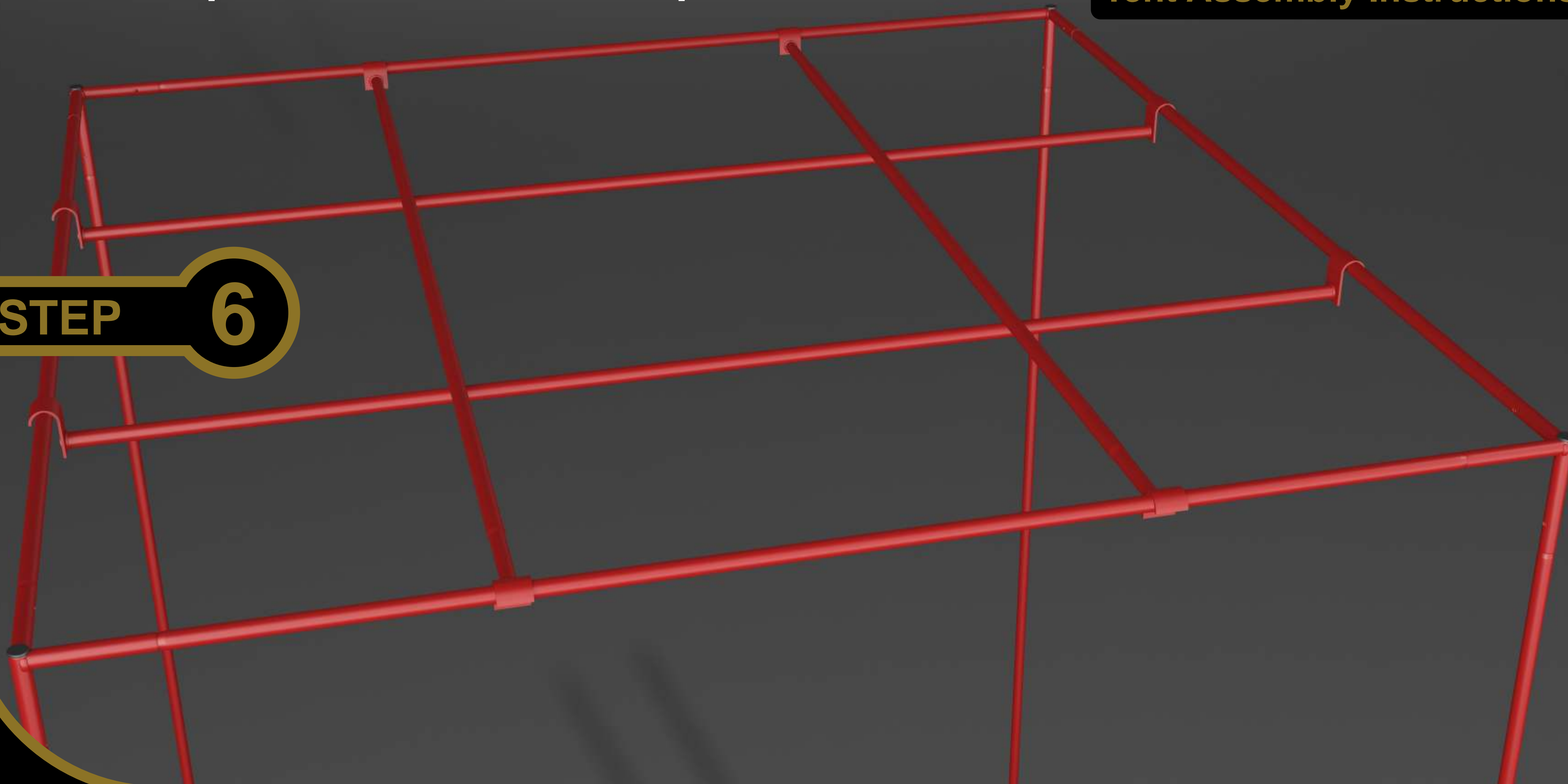


Add poles E and F to the top of the frame

hydro-box™  
Tent Assembly Instructions

STEP

6



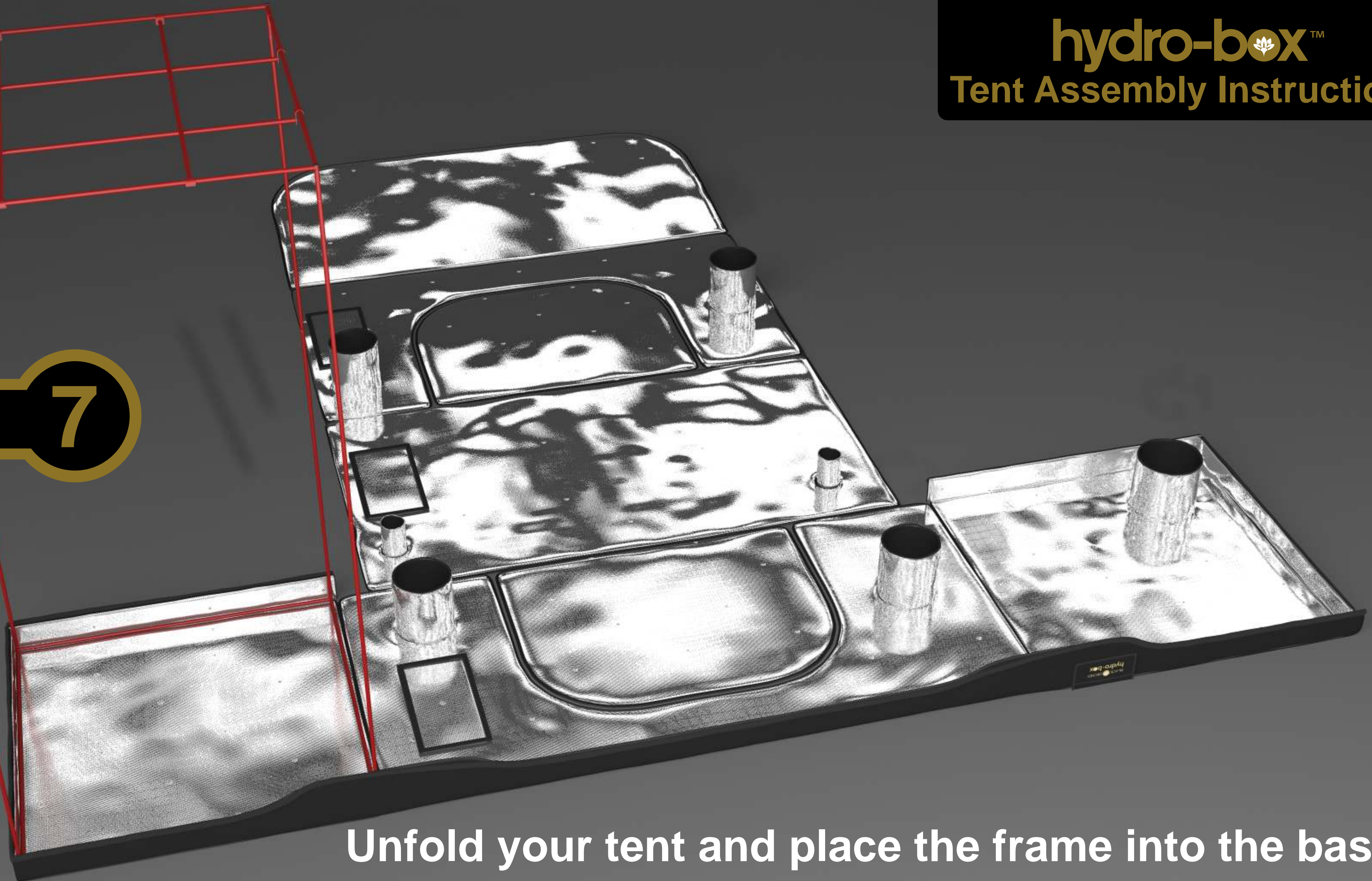


**hydro-box™**  
Tent Assembly Instructions

**STEP**

**7**

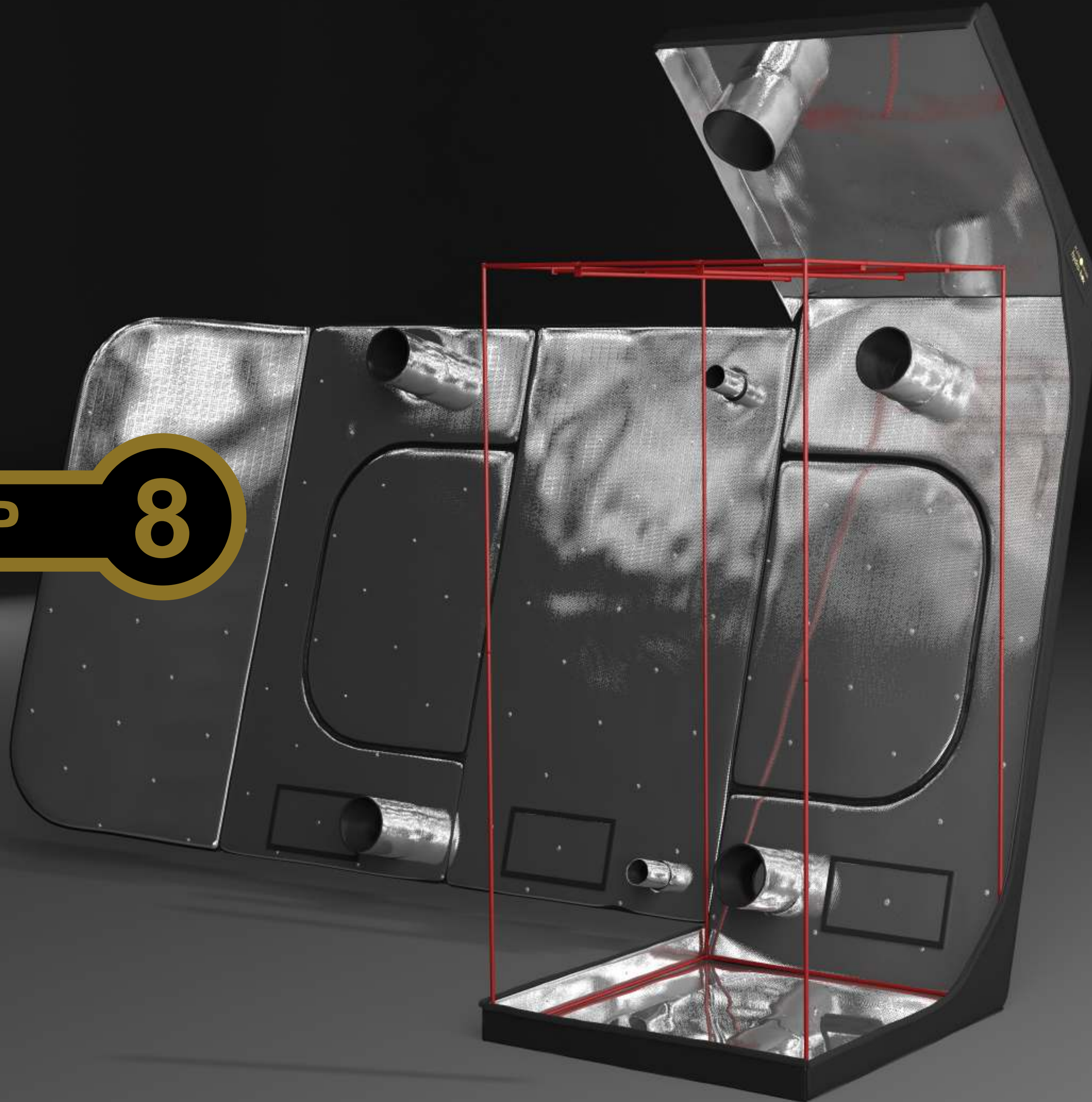
**Unfold your tent and place the frame into the base**



**hydro-box™**  
Tent Assembly Instructions

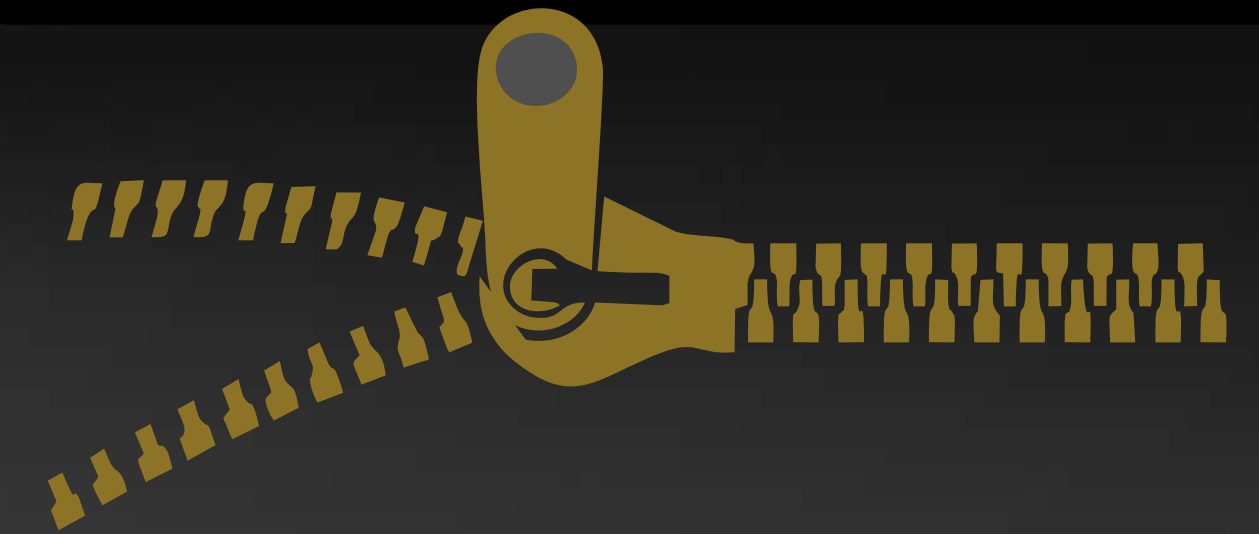
**STEP**

**8**



**Make sure the bottom of the tent is fitted firmly around the frame before lifting the top of the tent onto the frame**

**hydro-box™**  
Tent Assembly Instructions



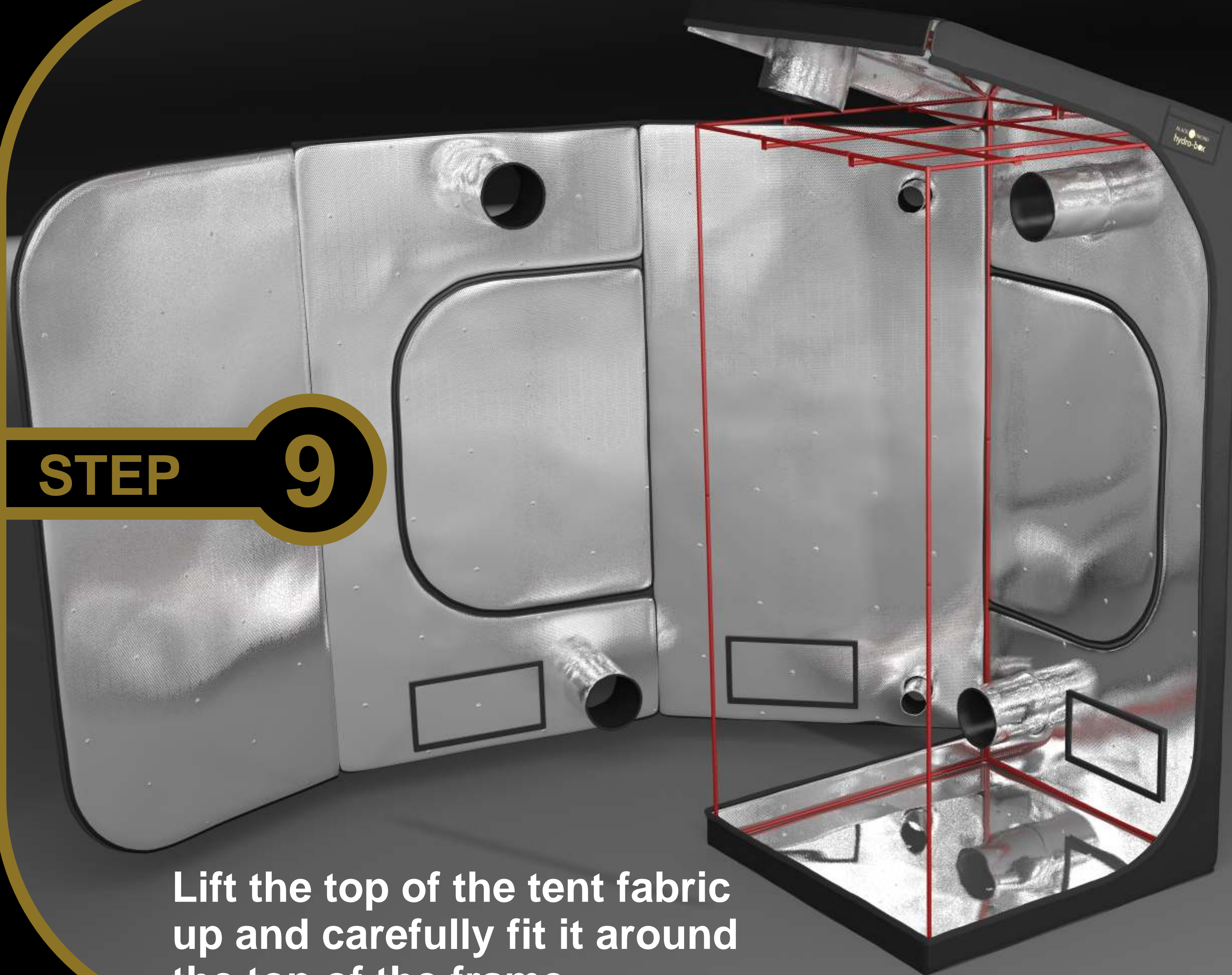
Next zip up the top and bottom zips all the way around sealing the tent up.

Start from the back of the tent with the top zip then use the bottom zip to complete the back, continue the same with the sides and finish with the front where both zips will meet up.

**STEP**

**9**

Lift the top of the tent fabric up and carefully fit it around the top of the frame



**hydro-box™**  
Tent Assembly Instructions

**STEP**

**10**

**Add the splash tray in the bottom once complete**

